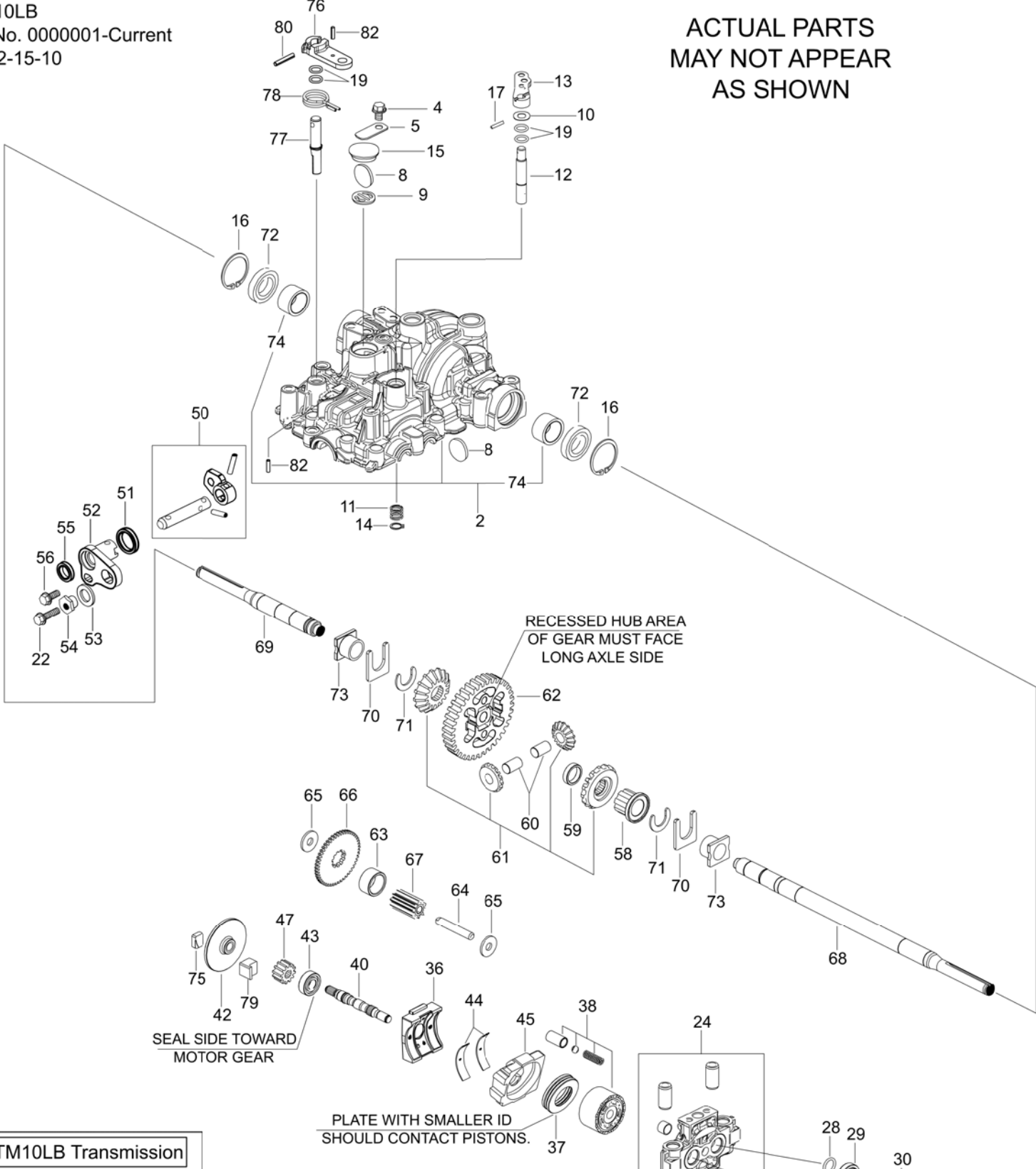


# Transmission KTM10LB

**Spare parts**  
**Ersatzteile**  
**Pièces détachées**  
**Reserve onderdelen**  
**Repuestos**  
**Reservdelar**

ACTUAL PARTS  
 MAY NOT APPEAR  
 AS SHOWN



1- KTM10LB Transmission

**KTM10LB Seal Kit**

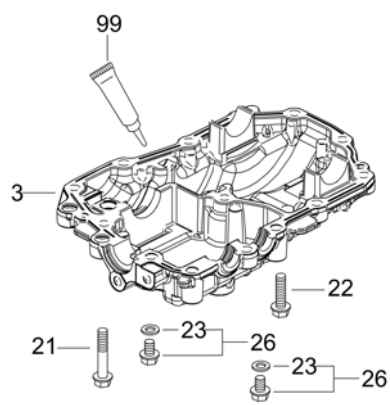
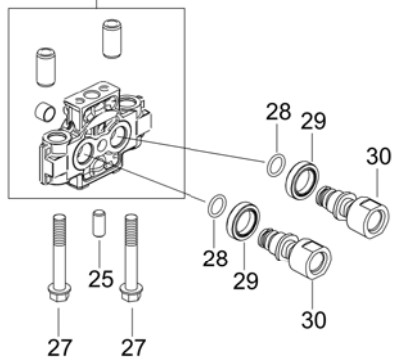
Kit Includes	
#15	#51
#19	#55
#23	#72
#28	#81
#29	#99

All parts may not be used.

**KTM10LB Repair Kit**

Kit Includes	
#24	#38
#200 - Seal Kit	

All parts may not be used.



**Bolt Tightening Specs.**

Bolt Size	Torque
M8	16~18 ft.lb. (21~24 N.m)
M10	33~47 ft.lb. (45~64 N.m)

**(KTM10LB-TRANSAXLE / 787K0025050)  
HUSQVARNA AB (52333)**

<b>ID Number</b>	<b>TTC Part No.</b>	<b>Part Description</b>	<b>Service Part</b>
1	787K0025050	KTM10LB	
2	187K0084260	UPPER HOUSING ASY	
3	187K0024171	LOWER CASE	
4	26106080122	BOLT 8 * 12	502 45 56-01
5	187K0024380	PLATE	535 40 28-52;535 41 47-43
8	19216324360	MAGNET 28 * 3.5	502 45 58-01
9	1A646029000	MAGNET HOLDER	535 40 28-29
10	19843575630	WASHER 10.5*20*1	502 45 20-01
11	187K0024780	BYPASS SPRING	502 46 08-01
12	187K0024760	BYPASS SHAFT	502 45 62-01
13	1A632029520	BYPASS LEVER	
14	22242000120	SNAP RING 12	535 40 28-17
15	1C655036300	SEALING CAP 30	502 46 12-01
16	22252000420	SNAP RING 42	535 40 28-32
17	22351030020	SPRING PIN 3.0A * 20	502 46 15-01
19	24311000120	O-RING 1A P12	535 40 28-16
21	26106080452	BOLT 8 * 45	535 41 46-19
22	26106080302	TAPPING BOLT 8 * 30	535 41 47-06
23	22190080000	SEAL WASHER 8	
24	187K0024561	CENTERCASE D	506 95 75-01
25	22312100200	DOWEL PIN 10 * 20	502 45 59-01
26	187Q0399940	DRAIN BOLT KIT	502 46 16-01
27	26106100702	BOLT 10 * 70	577 32 58-01
28	24315000140	O-RING P14.0	
29	24421203007	SEAL TC203007	502 46 21-01
30	187K0024930	CONNECTOR G1/2	502 46 24-01
36	187K0024821	THRUST METAL RETAINER	
37	1A632024240	BEARING THS060513	502 45 64-01
38	19216825210	CYLINDER BLOCK KIT	502 44 92-01
40	187K0025341	MOTOR SHAFT A	535 40 28-74
42	187K0036260	BRAKE DISK L	

43	168T2025280	BEARING 6202 RSR C3	535 40 28-83
44	19215427051	THRUST METAL	535 41 46-86
45	187K0024700	SWASH PLATE	502 45 60-01
47	187K0025420	MOTOR GEAR L (11T)	502 45 74-01
50	187K0029650	CONTROL SHAFT ASSY	502 46 26-01
51	24421253506	SEAL TC253506	502 45 76-01
52	187K0029710	CONTROL BUSHING	502 46 10-01
53	22137160000	WASHER 16	502 45 75-01
54	187K0029700	AJUSTER BUSHING	535 40 28-11
55	19406527270	SEAL TC 162606	535 41 47-05
56	26106080202	BOLT 8 * 20	
58	1A632034280	COLLAR 25.4	
59	187K0034310	AXLE COLLAR	
60	1A632031810	DIFFERENTIAL PINION PIN	535 41 46-38
61	1A632031501	DIFFERENTIAL GEAR KIT	502 44 94-01
62	187K0033640	FINAL GEAR (54T)	502 45 83-01
63	187K0033260	FINAL PINION COLLAR	
64	1A646033410	REDUCTION SHAFT	535 41 46-06
65	19216833420	WASHER 12 * 32 * 3.2	502 46 07-01
66	187K0033490	REDUCTION GEAR L (44T)	502 45 81-01
67	1A646033531	FINAL PINION GEAR (10T)	502 45 27-01
68	187K0034340	AXLE SHAFT L/L, W/O DL	502 45 93-01
69	187K0034330	AXLE SHAFT L/S, W/O DL	502 45 92-01
70	1A632034290	THRUST WASHER	535 41 46-45
71	19216734160	RETAINING RING 23	535 41 46-96
72	19215434270	SEAL S 25.4 * 42 * 8	535 40 28-10
73	19216734240	BUSHING 25.4	535 41 46-97
75	1A646036121	BRAKE SHOE	535 41 46-16
76	1A646036160	BRAKE LEVER	535 40 28-38
77	1A646036171	BRAKE SHAFT	535 41 46-17
78	1A646036180	BRAKE RETURN SPRING	502 45 28-01
79	1A646036200	BRAKE ACTUATOR	535 41 46-18
80	22351050032	SPRING PIN 5 * 32	535 40 28-40
82	22351040016	SPRING PIN 4 * 16	535 40 28-41
99	1A6460999500	SEALANT	502 45 34-01;505 34 87-01
200	187K0099040	SEAL KIT	502 45 99-01